

Measuring Wheel 500 mm knurled aluminium MR500AK

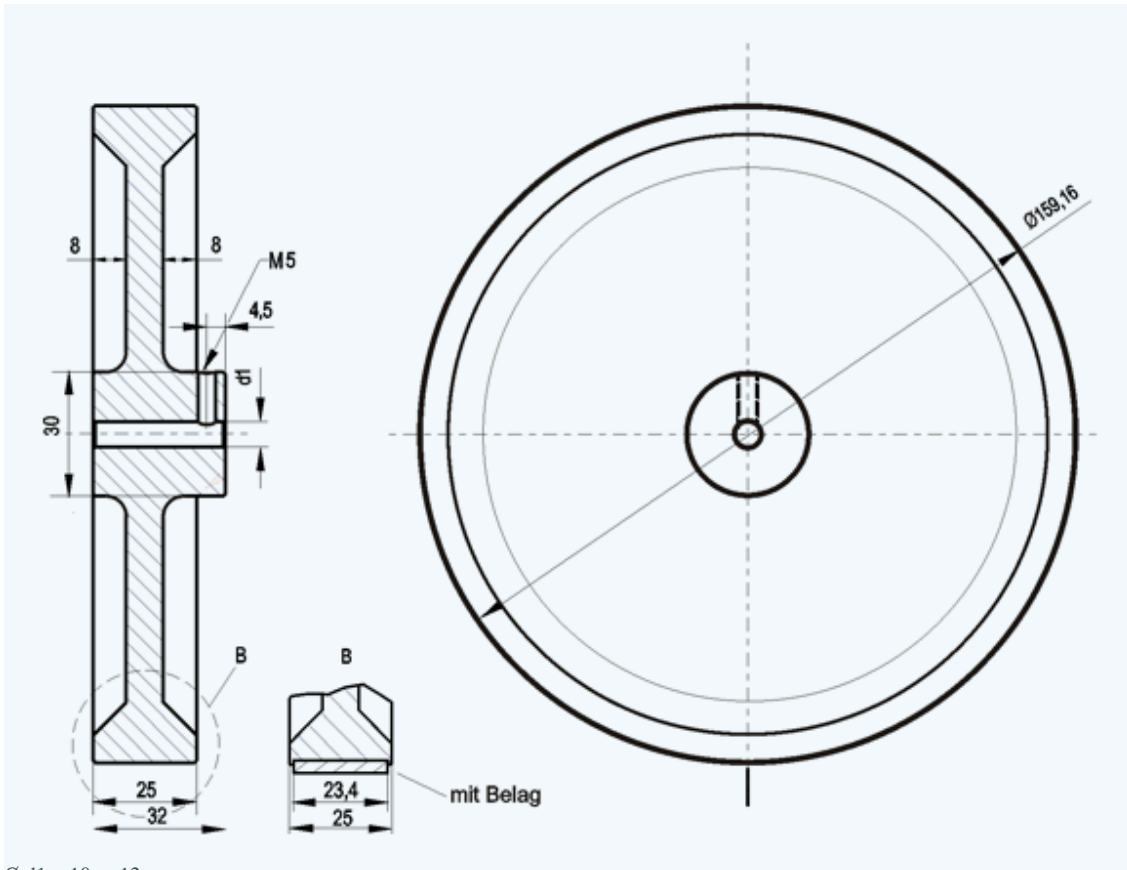
Measuring wheel made of aluminum with knurled metal surface for length measurement of different materials, very smooth running characteristics, high measurement accuracy, optimized design for low weight.

This measuring wheel is especially suitable for cardboard, wood, textiles, rubber and soft plastic.

Technical data

Circumference	500 ±1 mm
Material core	Aluminium
Material contact surface	Aluminium
Structure contact surface	Kreuzrändel / <i>knurled</i>
Moment of inertia	24500 gcm ²
Weight	775 g

Outline drawing



$\varnothing d1 = 10$ or 12 mm